

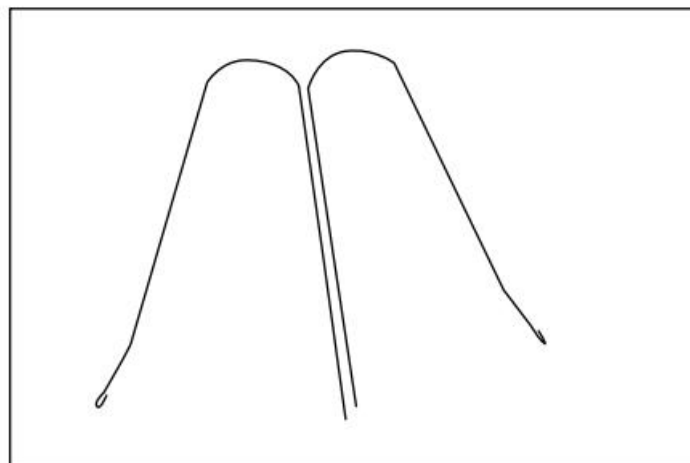
Fender Instruction

In package, you'll find 3 packs of bolts, washers, and nuts. They are for:

Fender Spoke Hardware	Fender Mount to Frame Hardware	Tail Light Hardware
-----------------------	--------------------------------	---------------------



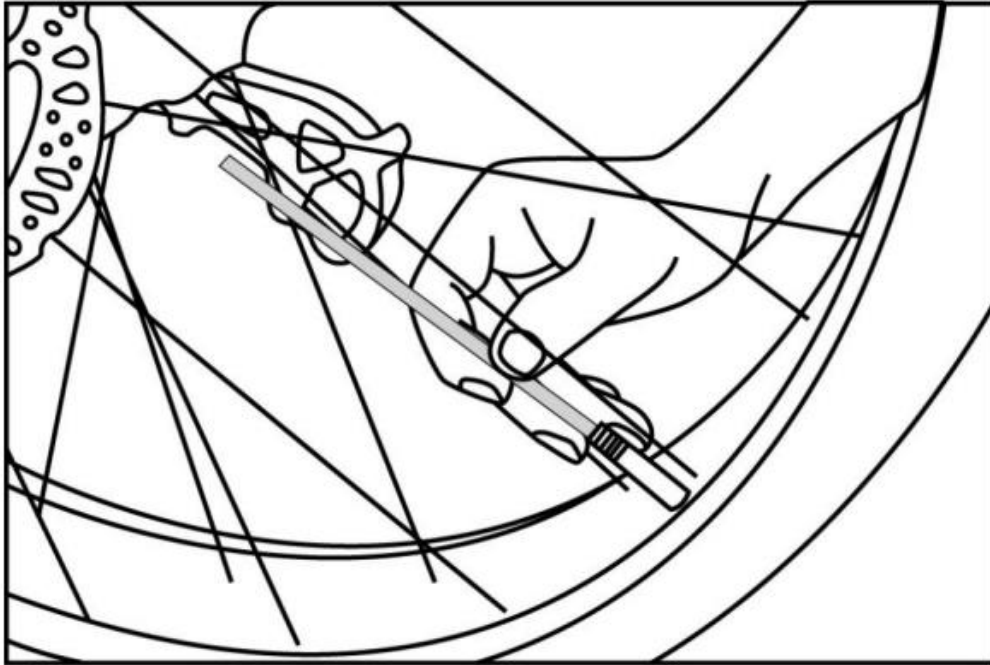
Front and rear fender has different size of spokes. Put them beside each other, the **longer one is for rear**, and shorter one is for front.



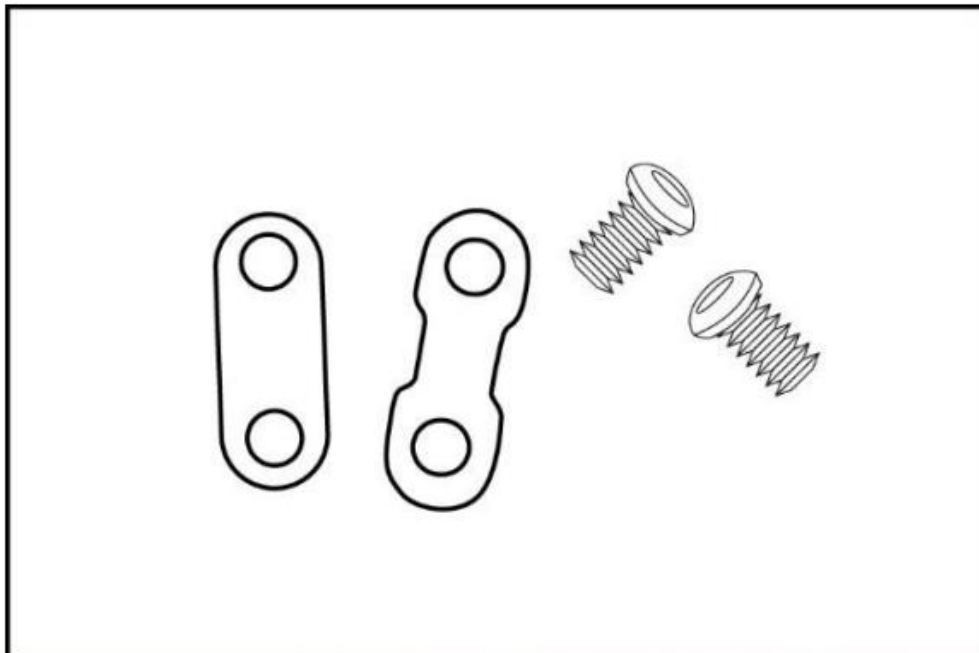
VOLTAGE CRUISER BIKES

1, Remove front wheel.

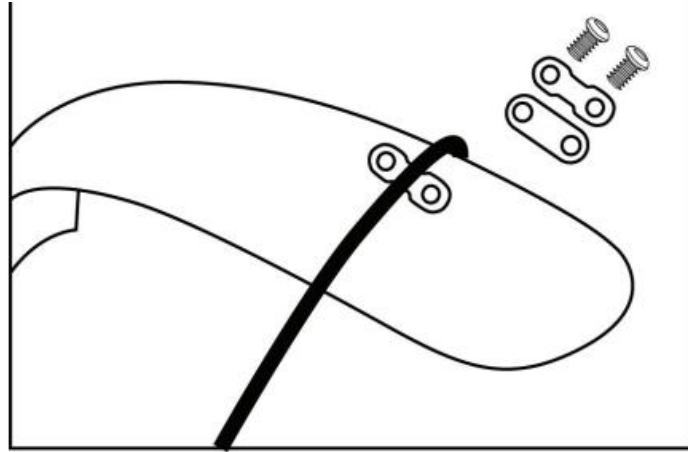
2, Deflate Rear Tire



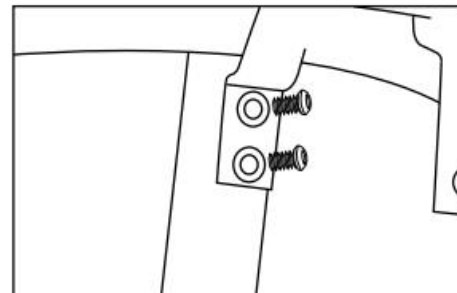
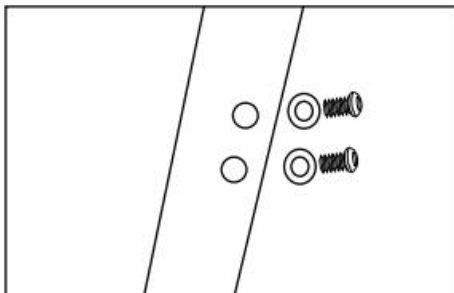
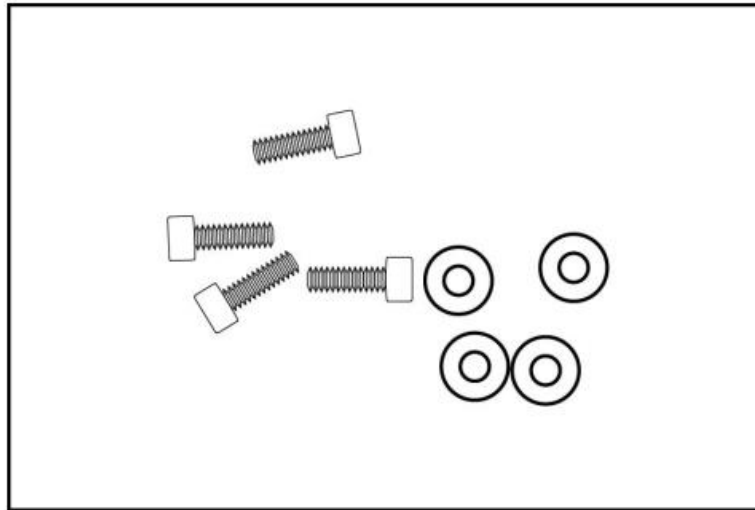
3, Install spokes on both front and rear fenders



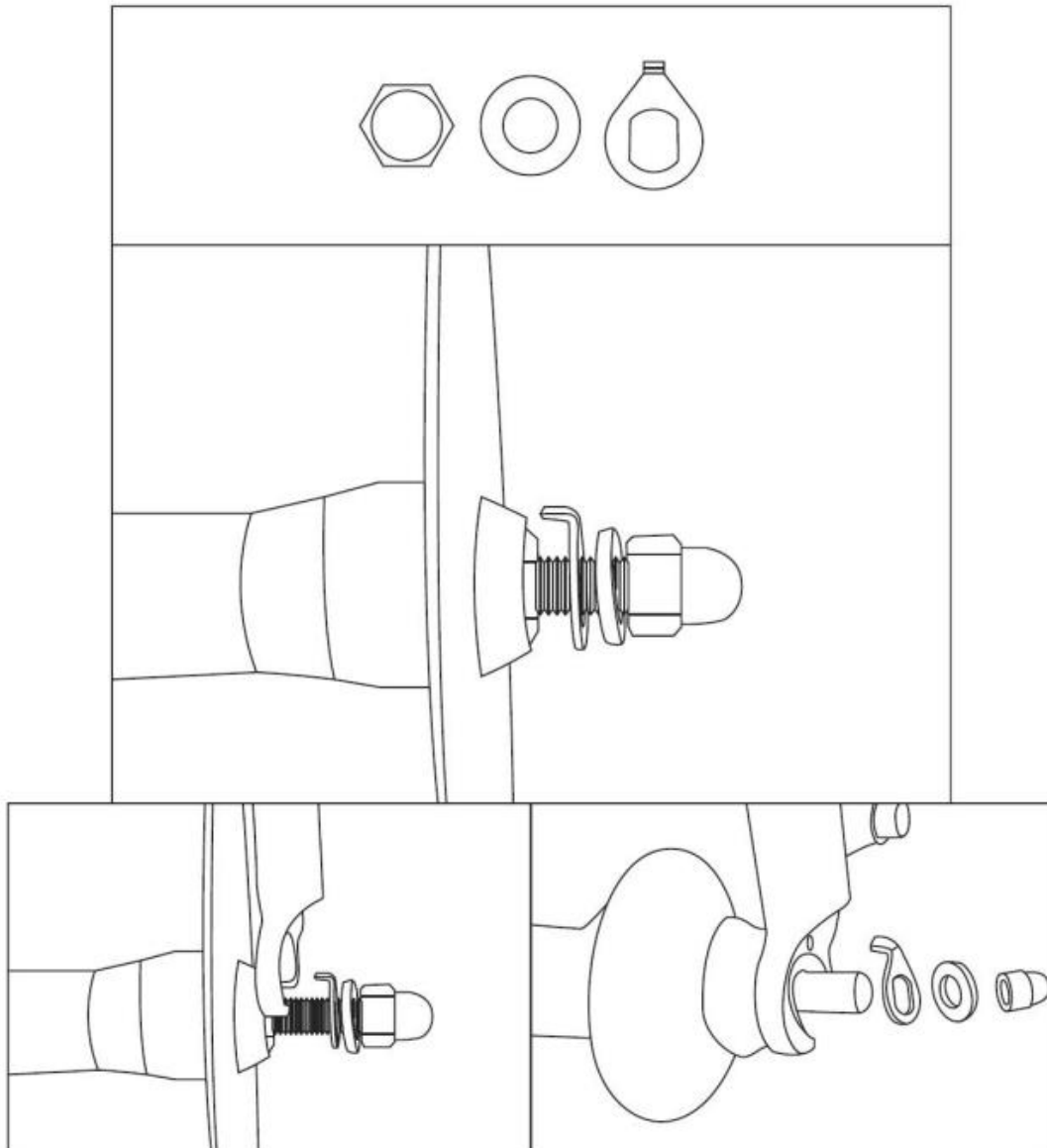
VOLTAGE CRUISER BIKES



4, Mount front fender to front fork with 2x allen bolts on each side

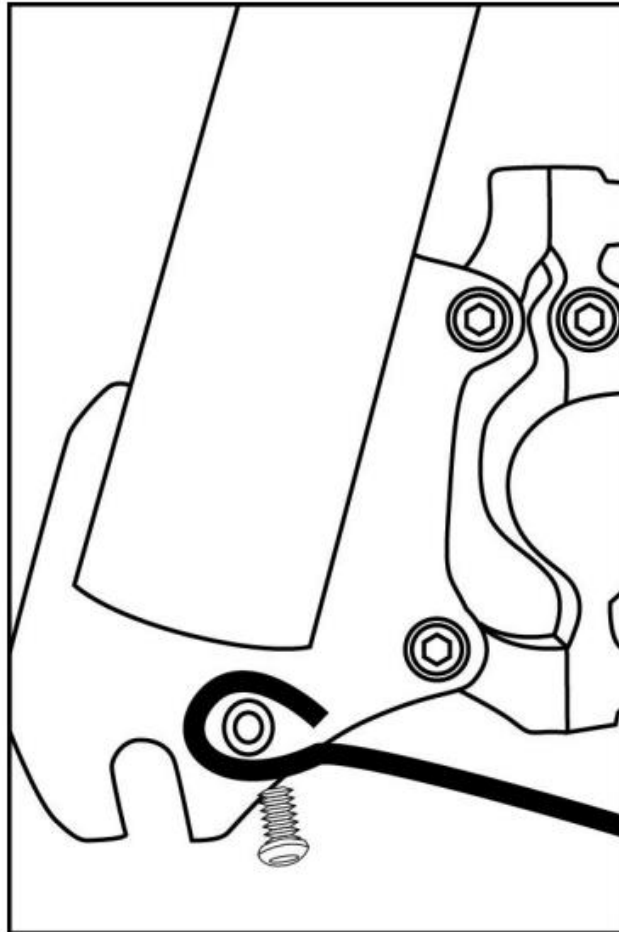


4.1 Install front wheel



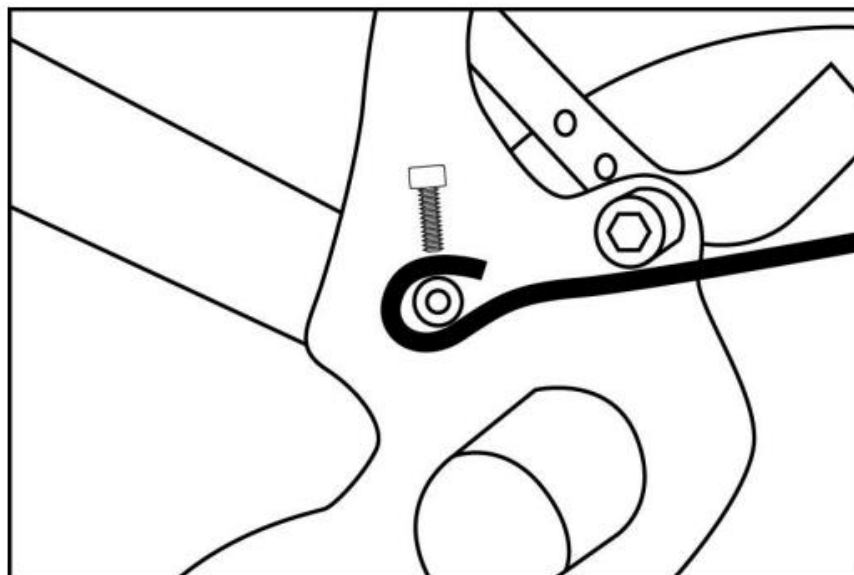
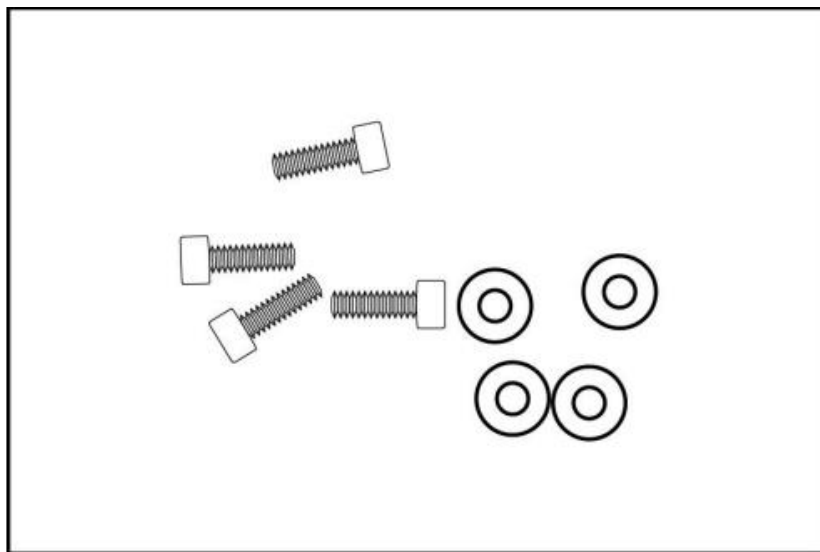
VOLTAGE CRUISER BIKES

4.2 Mount the spokes of front fender to frame with 1x allen bolt and washer on each side.



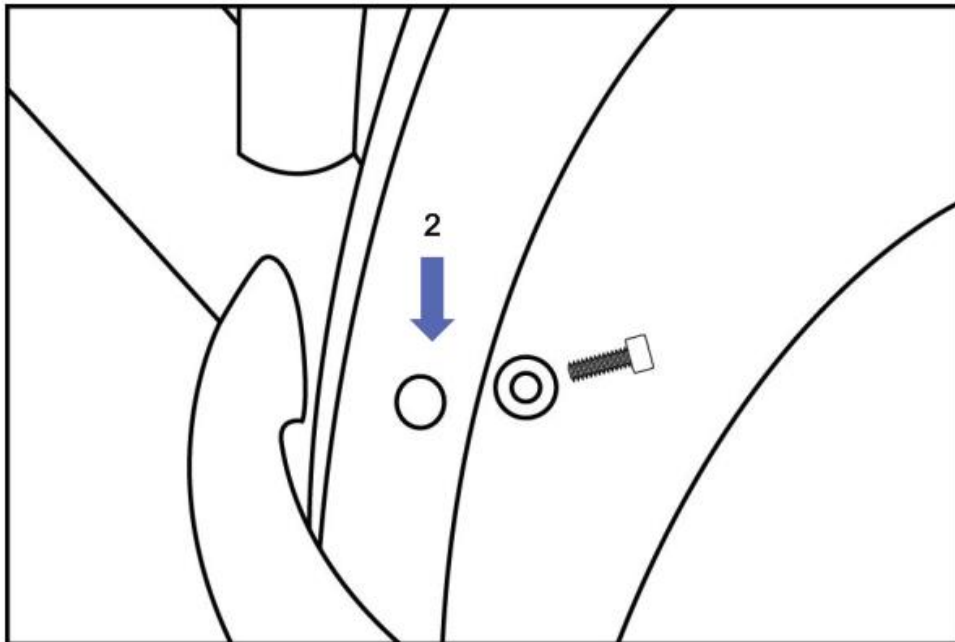
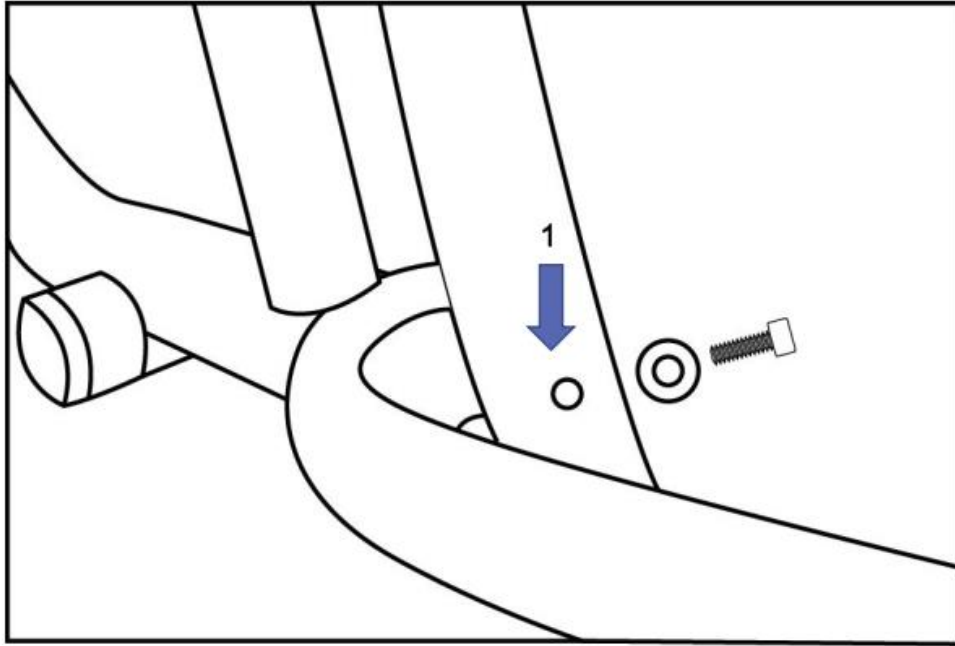
5, Mount rear fender by fixing the spokes to frame first, with 1x allen bolt on each side

VOLTAGE CRUISER BIKES



5.2 Mount allen bolts and washers to place (1) and (2). Press tires to access narrow position.

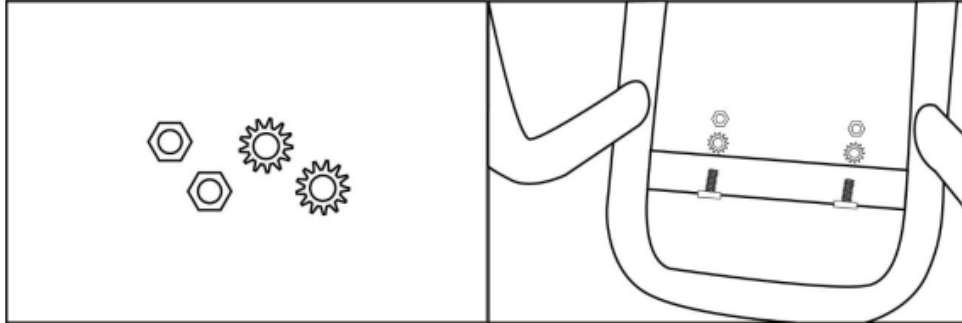
VOLTAGE CRUISER BIKES



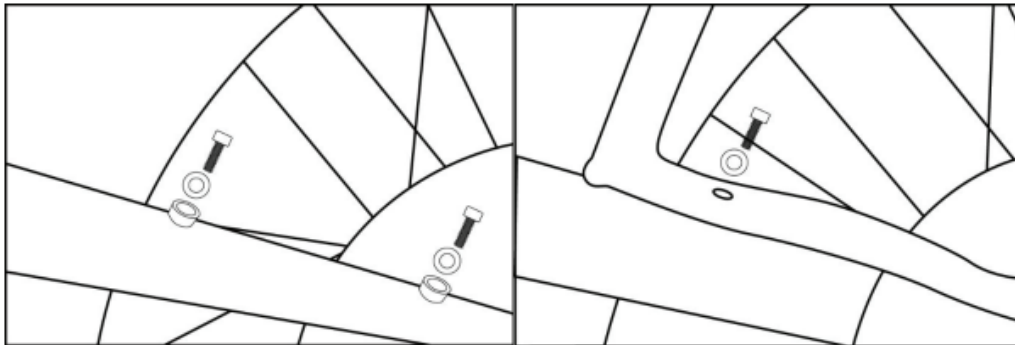
6. Inflate rear tire and finish.



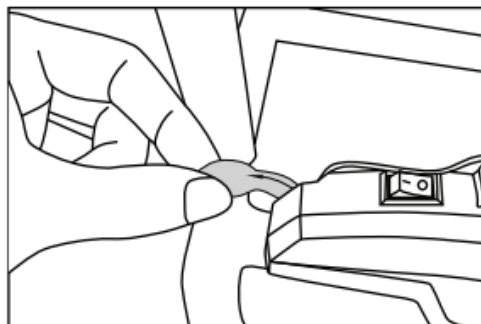
Rear Rack Instruction



Install tail light to rear rack with these 2 sets of nuts and washers.



Remove the 4 allen bolts and washers from rear fork. Put on rack. Fasten the bolts securely.



Pull out the insulating strip to start using the tail light